

# HIOS®

Connection with JYUKUREN BLG-BC2 provides simple control of fastening a screw!

This tool is easy to use for a wide variety of purposes.



New

熟練工 BC2 External I/O Box

## BLG-10-Pro1

- ① Identifies an erroneously fastened screw, which can be interlocked with a revolving light.
- ② Operations can be coordinated with PC (the dedicated software).
- ③ No preparation of a program like PLC controls is required.
- ④ Driver operation control is possible depending on whether work is available or not.
- ⑤ When a screw is fastened erroneously, the driver terminates operation if so set up.

BLG-4000BC2



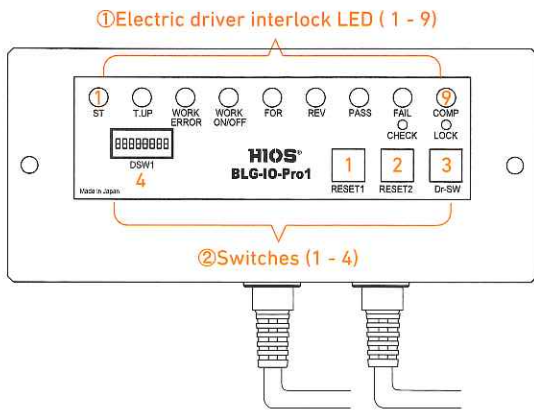
BLG-5000BC2



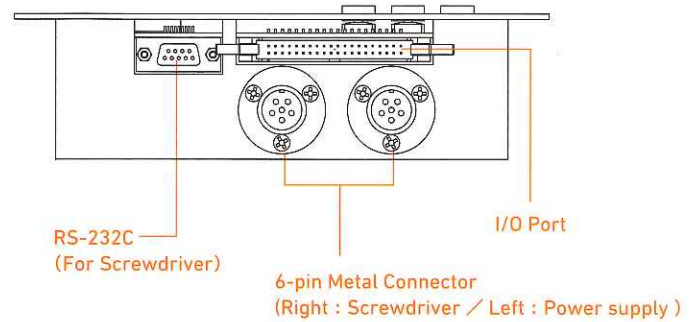
熟練工  
JYUKUREN®

JYUKUREN=Proficient

## Front Panel



## External connection



### ① Electric driver interlock LED (1 - 9)

- |   |  |
|---|--|
| 1. ST (ON from start to stop)                   | 6. REV (ON during reverse rotation)                    |
| 2. T.UP (ON when the driver clutched out)       | 7. PASS (ON when screw-fastening errors did not occur) |
| 3. WORK-Err (ON when work pieces are not set)   | 8. Fail (ON when screw-fastening errors occurred)      |
| 4. WORK-ON/OFF (presence/absence of work-piece) | 9. COMP (ON after cycle complete.)                     |
| 5. FOR (ON during normal rotation)              |  |

### ② Switches on the front panel(1 - 4)

1. RESET 1
2. RESET 2
3. Dr-SW (BLG-BC2 can be forcibly turned off.)
4. DSW1 (Reference 1)

## Configuration Example

Basic Configuration

### Screwdriver



### I/OBOX



### Power Supply

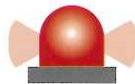


\* External devices below can be used according to the conditions.

### Work Set S/W



### Revolving Light



### PC



### Buzzer



## Specifications

Consumption current	Open collector output	External dimension (mm)	Weight (g)	Accessories
30V / 40mA (For HIOS Power Supply T-45BL or T-70BL)	max. 40V/40mA		635g	40-pin connector: 1pc, Terminals: 20pcs, 6-pin driver cord 2m: 1pc, BLG-IO-Pro1 Operation Manual: 1copy

## HIOS Inc.

Head Office: 111-6 Akiyama, Matsudo City, Chiba Pref., Japan 270-2223 Phone: +81 (Japan) 47-392-2001

Osaka Office: 18F Naniwasuji SIA Bldg., 2-4-2 Shinmachi, Nishi-ku, Osaka City, Japan 550-0013 Phone: +81 (Japan) 6-6533-0903

Nagoya Office: 9F Kirix Marunouchi Bldg., 1-17-19 Marunouchi, Naka-ku, Nagoya, Aichi Pref., Japan 460-0002 Phone: +81 (Japan) 52-219-5566

Yamagata Factory: 5 Takagi, Yamagata City, Yamagata Pref., Japan 990-2346 Phone: +81 (Japan) 23-645-8100

HIOS (Shenzhen) Co., Ltd. 11CD Room New Times Plaza, 1 Taizi Road, Shekou Nanshan District, Shenzhen, Guangdong Province, China 518067 Phone: +86 (China) 755-26674278

