

Recoules[®] Quackenbush[®]

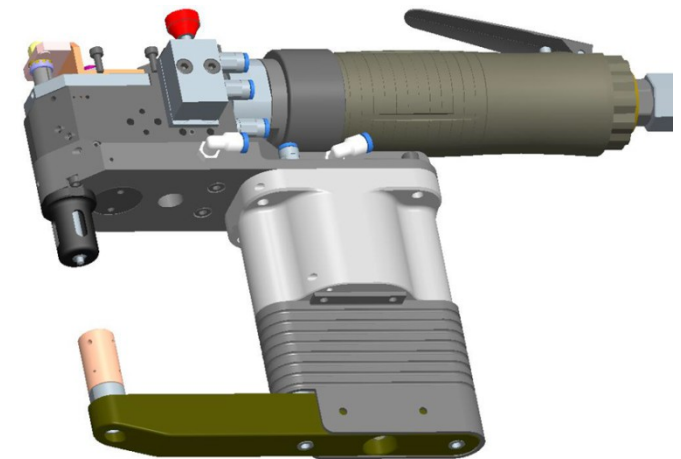


Mini C-Clamping

- June 2015

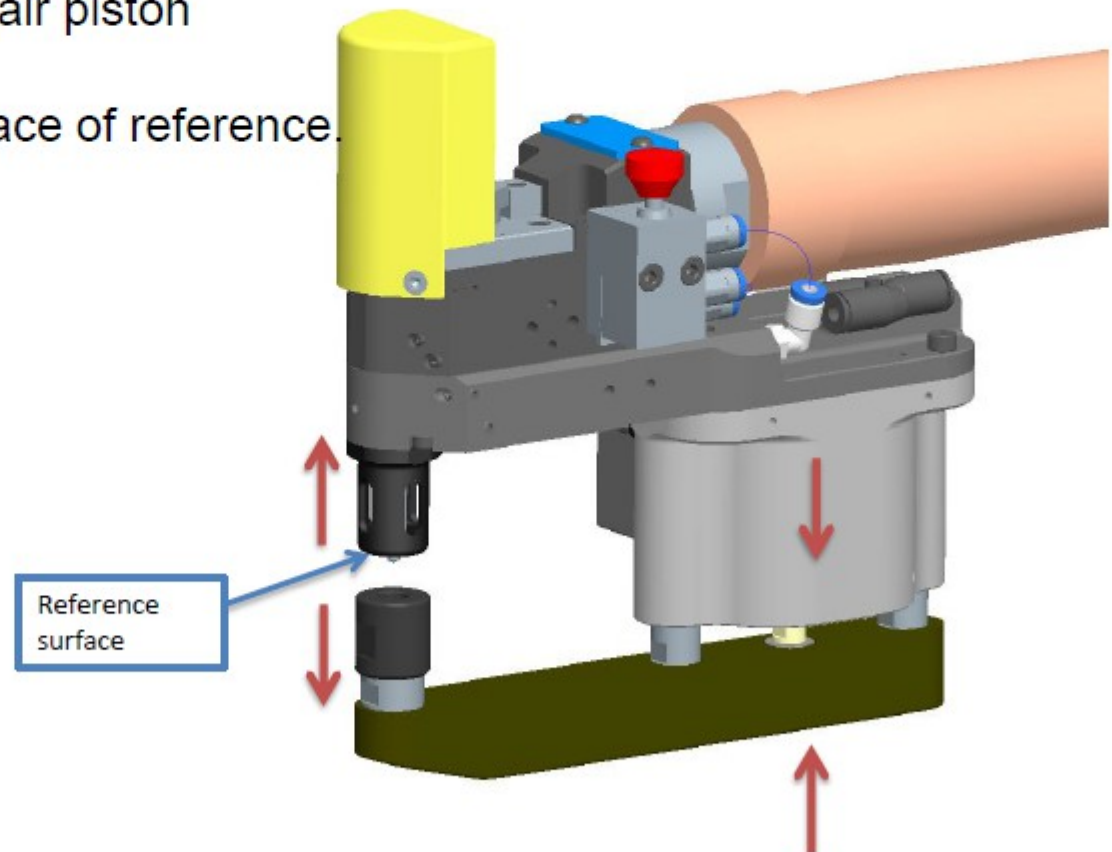
ADU –Mini C-Clamp

- Weight: 2.8Kg
- Power: 0.9HP
- Speed: 2700rpm
- Feed Rate: 0.1mm/rev
- Pressure requirement: 6.3bar under load.
- Flow rate: 1200 l/min



Mini C-clamp – location mechanism

- Location by pre-hole.
- Drilling efforts absorbed by air piston through the jaw.
- Bottom guiding bush = surface of reference.
- Max clamping effort 900N.



Applications

